



SRL-280-16S

Measured capacity > Nominal capacity + 5%



High Safety
Lifepo4 Battery



10 years Warranty



Multi-level
of Protection



High Energy Density



Support RS485 and
CAN Communication

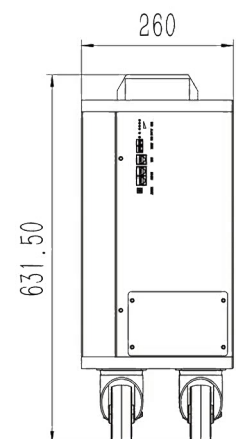
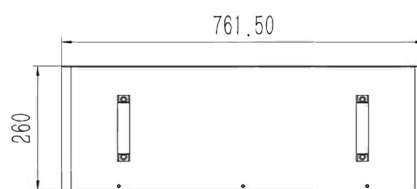
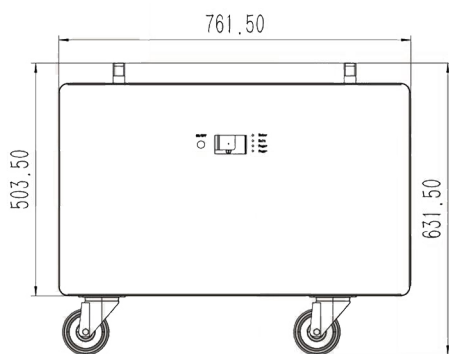


Intelligent
Built-in BMS

SRL-280-16S

Performance Parameter

Model No	SRL-280-16S
Nominal Voltage (VDC)	51.2
Nominal Capacity (AH)	280
Nominal Capacity (WH)	14336
Usable Capacity (WH)	12902.4
Discharge Voltage (V)	44.8
Charge Voltage (V)	57.6
Recommend Charge/ Discharge Current (A)	140
Max.Charge/ Discharge Current(A)	200(3S)
Communication	RS485/CAN/Bluetooth(Optional)
Working Temperature	0-40°C
Storage Temperature	-20-70°C
Humidity	15%-80%
Certification	CE/IECUN38.3/MSDS
Design Life	10 Years+
Cycle Life	≥6000@90%DOD(25±5°C)
Electrical Design Redundancy	>20%
Dimension	761*260*631mm
Weight	110KG



contact information

Anhui Sunrange New Energy Technology Co., Ltd.

✉ info@sunrangepv.com

☎ +86 199 0966 3060

🌐 www.sunrangepv.com

📍 8th Floor, Block G, Phase III,
1201 Huafeng Road Shushan District, 230031 Hefei, China

