

420-440W

Mono BIFACIAL DG 108 Half-Cell Layout N-TOPCon Cell



N N-TOPCon Cell Technology

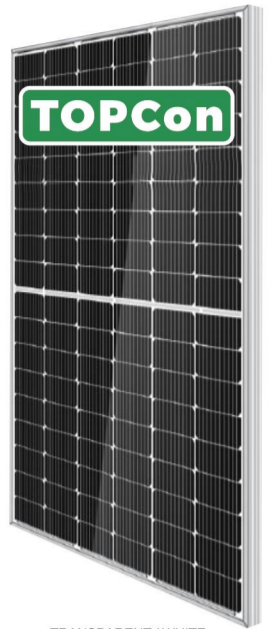
SMBB SMBB Half Cut Cell Technology

Bifacial Bifacial Cell Module Technologies

anti PID LID Excellent Anti-PID LoW LID Performance

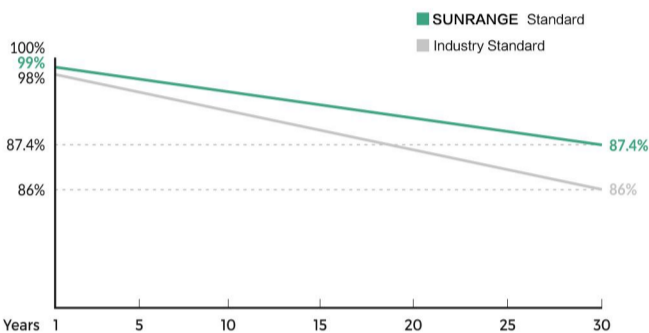
A Less Hot Spot Shading Effects

\$ Higher Power Output Lower BOS & LCOE



TRANSPARENT / WHITE

Linear Performance Warranty



* SUNRANGE : Standard warranty 15 years, can be extended up to 20 years.

Insured By



Comprehensive Certificates

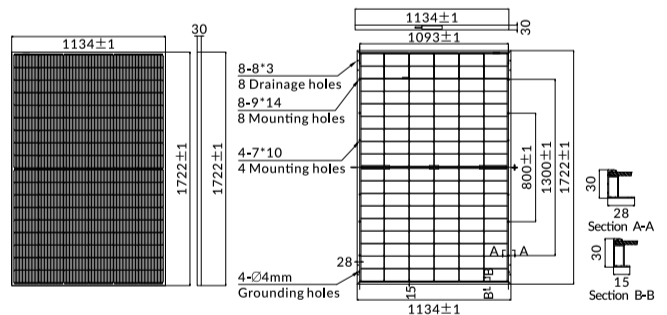
- ◆ ISO9001:2015 QMS
- ◆ ISO14001:2015 EMS
- ◆ ISO45001:2018 OHSMS
- ◆ IEC61215/IEC61730 Standard Quality
- ◆ IEC61701/IEC62716 Salt/Mist/Ammonia Tests

Anhui Sunrange New Energy Technology Co., Ltd.
 Add: 8th Floor, Block G, Phase III, 1201 Huafeng Road Shushan District, 230031 Hefei, China
 Tel: +86 199 0966 3060
 Email: info@sunrangepv.com
 Website: www.sunrangepv.com

Mono I 420-440W BIFACIAL DG

MECHANICAL CHARACTERISTICS

Solar Cells	N-type Mono
No. of Cells	108 (6x18)
Dimensions	1722 x 1134 x 30mm
Weight	23.5kg
Front Glass	2.0mm coated semi-tempered glass
Back Glass	2.0mm semi-tempered glass
Junction Box	Ip68 rated (3 by pass diodes)
	4.0mm ²
Output Cables	300mm (+) / 300mm (-)
	Length can be customized
Connectors	Mc4 compatible
Mechanical load test	5400Pa



ELECTRICAL PARAMETERS

POWER CLASS	SRD54P-420N		SRD54P-425N		SRD54P-430N		SRD54P-435N		SRD54P-440N	
	STC	NMOT	STC	NMOT	STC	NMOT	STC	NMOT	STC	NMOT
Maximum power (Pmax)	420W	315W	425W	319W	430W	323W	435W	327W	440W	331W
Open Circuit Voltage (Voc)	38.49V	36.68V	38.73V	36.88V	38.96V	37.08V	39.19V	37.28V	39.42V	37.48V
Short Circuit Current (Isc)	13.99A	11.26A	14.06A	11.32A	14.13A	11.38A	14.20A	11.44A	14.27A	11.50A
Voltage at Maximum power (Vmpp)	31.63V	29.30V	31.84V	29.51V	32.04V	29.71V	32.25V	29.92V	32.45V	30.12V
Current Maximum Power (Impp)	13.28A	10.75A	13.35A	10.81A	13.42A	10.87A	13.49A	10.93A	13.56A	10.99A
MODULE EFFICIENCY (%)	21.51%		21.76%		22.02%		22.28%		22.53%	

STC: Irradiance 1000W/m², cell temperature 25°C, AM1.5G NMOT: Irradiance 800W/m², ambient temperature 20°C, wind speed 1m/s, AM1.5G

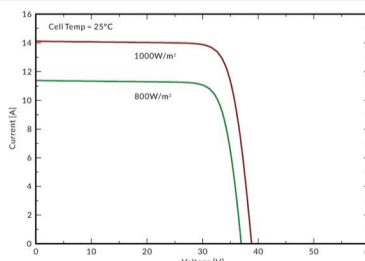
BIFACIAL OUTPUT-REAR SIDE POWER GAIN

5%	Maximum power (Pmax)	441W	446W	452W	457W	462W
	Module Efficiency STC (%)	22.58%	22.85%	23.12%	23.39%	23.66%
15%	Maximum power (Pmax)	483W	489W	495W	500W	506W
	Module Efficiency STC (%)	24.73%	25.03%	25.32%	25.62%	25.91%
25%	Maximum Power (Pmax)	525W	531W	538W	544W	550W
	Module Efficiency STC (%)	26.89%	27.21%	27.53%	27.85%	28.17%

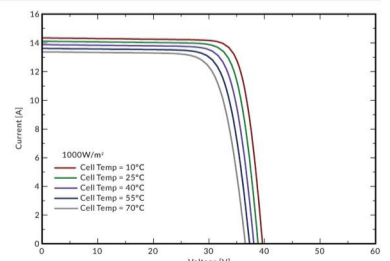
PACKING CONFIGURATION

Container	20'GP	40'HQ
Pieces per pallet	36	36
Pallets per container	6	26
Pieces per container	216	936

I-V CURVE



SRD54P-435N



OPERATING CHARACTERISTICS

Operating Module Temperature	-40°C to +85°C
Maximum System Voltage	1500 DC (IEC)
Maximum Series Fuse Rating	30A
Power Tolerance	0/+5W

TEMPERATURE CHARACTERISTICS

Nominal Operating Temperature (NMOT)	45±2°C
Temperature Coefficient of Pmax	-0.29%/°C
Temperature Coefficient of Voc	-0.25%/°C
Temperature Coefficient of Isc	+0.045%/°C

Note: The specifications, data and technical characteristics provided in this data sheet are subject to changes due to continuous R&D, product innovation and improvement. SUNRANGE reserves the right to modify the information any time without prior notice.