



### SRS-100-16S

Measured capacity > Nominal capacity + 5%



High Safety  
Lifepo4 Battery



10 years Warranty



Multi-level  
of Protection



High Energy Density



Support RS485 and  
CAN Communication

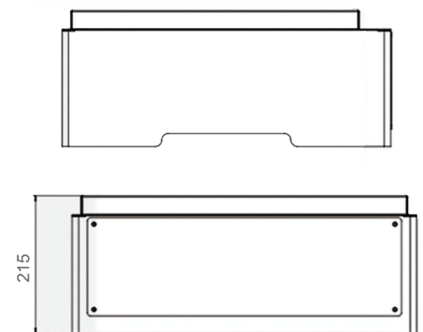
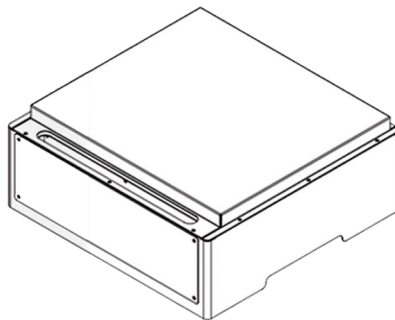
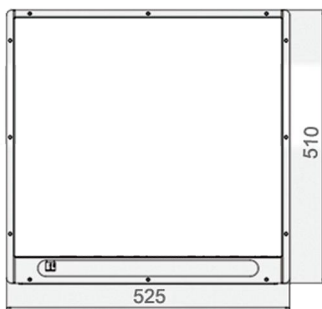


Intelligent  
Built-in BMS

# SRS-100-16S

## Performance Parameter

Model No	SRS-100-16S
Nominal Voltage ( VDC )	51.2
Nominal Capacity ( AH )	100
Nominal Capacity (WH)	5120
Usable Capacity (WH)	4608
Discharge Voltage ( V )	46
Charge Voltage (V)	56
Recommend Charge/ Discharge Current (A)	50
Max.Charge/ Discharge Current(A)	100(3S)
Communication	RS485/CAN/Bluetooth(Optional)
Working Temperature	0-40°C
Storage Temperature	-20-70°C
Humidity	10%-80%
Certification	CE/IECUN38.3/MSDS
Design Life	10 Years+
Cycle Life	≥6000@90%DOD(25±5°C)
Electrical Design Redundancy	>20%
Dimension	525*510*215mm
Weight	56.7KG



### contact information

Anhui Sunrange New Energy Technology Co., Ltd.

✉ info@sunrangepv.com

☎ +86 199 0966 3060

🌐 www.sunrangepv.com

📍 8th Floor, Block G, Phase III,  
1201 Huafeng Road Shushan District, 230031 Hefei, China

