

685-705W Mono

132 Half-Cell Layout

210mm N-TOPCon Cell



N-TOPCon Cell Technology



Half Cut Cell Technology



SMBB Technology



Excellent Anti-PID
LoW LID Performance



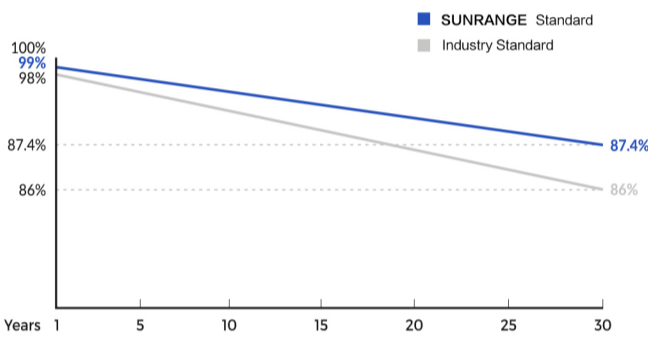
Less Hot Spot
Shading Effects



Higher Power Output
Lower BOS & LCOE



Linear Performance Warranty



* SUNRANGE: Standard warranty 15 years, can be extended up to 20 years.

Insured By



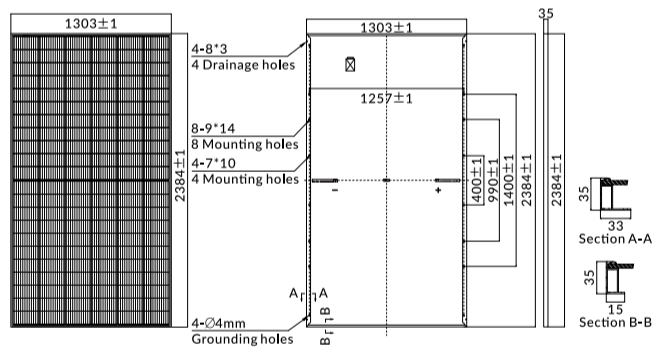
Comprehensive Certificates

- ISO9001:2015 QMS
- ISO14001:2015 EMS
- ISO45001:2018 OHSMS
- IEC61215/IEC61730 Standard Quality
- IEC61701/IEC62716 Salt/Mist/Ammonia Tests



MECHANICAL CHARACTERISTICS

Solar Cells	N-type Mono
No. of Cells	132 (6x22)
Dimensions	2384 x 1303 x 35mm
Weight	34.0kg
Front Glass	3.2mm coated tempered glass
Frame	Anodized aluminium alloy
Junction Box	Ip68 rated (3 by pass diodes)
	4.0mm ²
Output Cables	300mm (+) / 300mm (-)
	Length can be customized
Connectors	Mc4 compatible
Mechanical load test	5400Pa



ELECTRICAL PARAMETERS

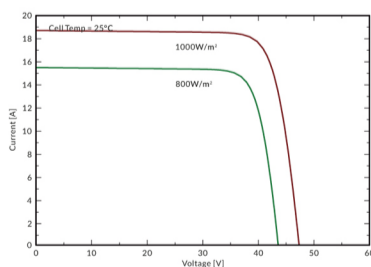
POWER CLASS	SR66P-685N		SR66P-690N		SR66P-695N		SR66P-700N		SR66P-705N	
	STC	NMOT	STC	NMOT	STC	NMOT	STC	NMOT	STC	NMOT
Maximum power (Pmax)	685W	522W	690W	526W	695W	530W	700W	534W	705W	538W
Open Circuit Voltage (Voc)	47.03V	43.37V	47.17V	43.49V	47.32V	43.61V	47.46V	43.73V	47.60V	43.85V
Short Circuit Current (Isc)	18.67A	15.45A	18.74A	15.51A	18.81A	15.57A	18.88A	15.63A	18.95A	15.69A
Voltage at Maximum power (Vmpp)	39.46V	36.48V	39.61V	36.60V	39.76V	36.73V	39.91V	36.85V	40.06V	36.98V
Current Maximum Power (Imp)	17.36A	14.31A	17.42A	14.37A	17.48A	14.43A	17.54A	14.49A	17.60A	14.55A
MODULE EFFICIENCY (%)	22.05%		22.21%		22.37%		22.53%		22.70%	

STC: Irradiance 1000W/m², cell temperature 25°C, AM1.5G NMOT: Irradiance 800W/m², ambient temperature 20°C, wind speed 1m/s, AM1.5G

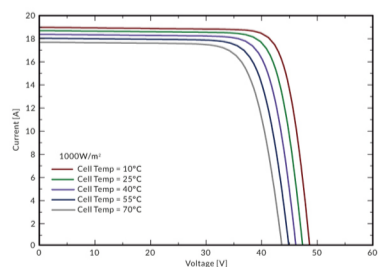
PACKING CONFIGURATION

Container	40'HQ
Pieces per pallet	32
Pallets per container	18
Pieces per container	576

I-V CURVE



SR66P-700N



OPERATING CHARACTERISTICS

Operating Module Temperature	-40°C to +85°C
Maximum System Voltage	1500 DC (IEC)
Maximum Series Fuse Rating	35A
Power Tolerance	0/+5W

TEMPERATURE CHARACTERISTICS

Nominal Operating Temperature (NMOT)	45±2°C
Temperature Coefficient of Pmax	-0.29%/°C
Temperature Coefficient of Voc	-0.25%/°C
Temperature Coefficient of Isc	+0.045%/°C

Note: The specifications, data and technical characteristics provided in this data sheet are subject to changes due to continuous R&D, product innovation and improvement. SUNRANGE reserves the right to modify the information any time without prior notice.

Anhui Sunrange New Energy Technology Co., Ltd.

Add: 8th Floor, Block G, Phase III, 1201 Huafeng Road Shushan District, 230031 Hefei, China

Tel: +86 199 0966 3060

E-mail: info@sunrangepv.com

Website: www.sunrangepv.com