

# 530-550W Mono FULL BLACK

## 144 Half-Cell Layout

### 182mm Cell



Full Black Appearance for Aesthetic Effect



Gallium-doped Technology



Half Cut Cell Technology



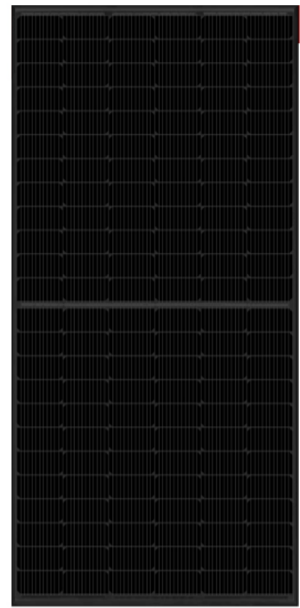
Anti-PID Low LID Performance



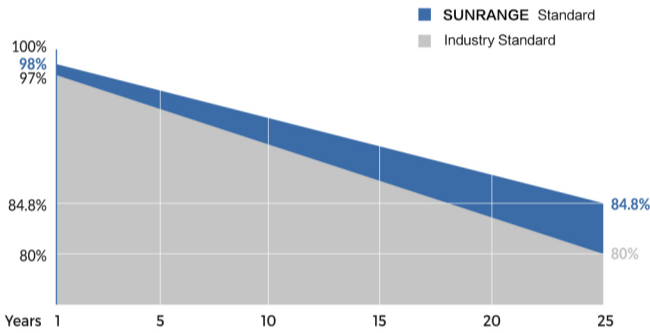
Less Hot Spot Shading Effects



Ideal for Residential Rooftop Application



#### Linear Performance Warranty



\* SUNRANGE: Standard warranty 12 years, can be extended up to 15 years

#### Insured By



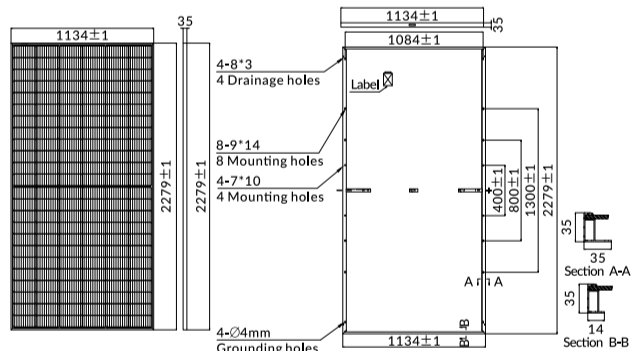
#### Comprehensive Certificates

- ISO9001:2015 QMS
- ISO14001:2015 EMS
- ISO45001:2018 OHSMS
- IEC61215/IEC61730 Standard Quality
- IEC61701/IEC62716 Salt/Mist/Ammonia Tests



### MECHANICAL CHARACTERISTICS

Solar Cells	Mono
No. of Cells	144 (6x24)
Dimensions	2279 x 1134 x 35mm
Weight	27.5kg
Front Glass	3.2mm coated tempered glass
Frame	Anodized aluminium alloy
Junction Box	Ip68 rated (3 by pass diodes)
	4.0mm <sup>2</sup>
Output Cables	300mm (+) / 300mm (-)
	Length can be customized
Connectors	Mc4 compatible
Mechanical load test	5400Pa



### ELECTRICAL PARAMETERS

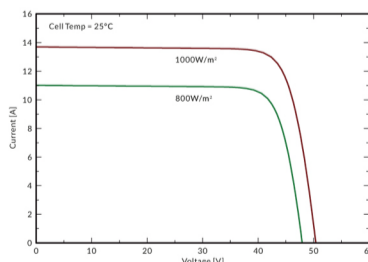
POWER CLASS	SR60P-440M		SR60P-445M		SR60P-450M		SR60P-455M		SR60P-460M	
	STC	NMOT	STC	NMOT	STC	NMOT	STC	NMOT	STC	NMOT
Maximum power (Pmax)	530W	401W	535W	405W	540W	409W	545W	413W	550W	417W
Open Circuit Voltage (Voc)	49.74V	47.16V	49.89V	47.40V	50.04V	47.63V	50.18V	47.87V	50.32V	48.10V
Short Circuit Current (Isc)	13.62A	10.91A	13.69A	10.95A	13.76A	10.99A	13.83A	11.03A	13.90A	11.07A
Voltage at Maximum power (Vmpp)	41.63V	38.97V	41.80V	39.21V	41.96V	39.44V	42.12V	39.67V	42.28V	39.90V
Current Maximum Power (Impp)	12.73A	10.29A	12.80A	10.33A	12.87A	10.37A	12.94A	10.41A	13.01A	10.45A
MODULE EFFICIENCY (%)	20.51%		20.70%		20.89%		21.09%		21.28%	

STC: Irradiance 1000W/m<sup>2</sup>, cell temperature 25°C, AM1.5G    NMOT: Irradiance 800W/m<sup>2</sup>, ambient temperature 20°C, wind speed 1m/s, AM1.5G

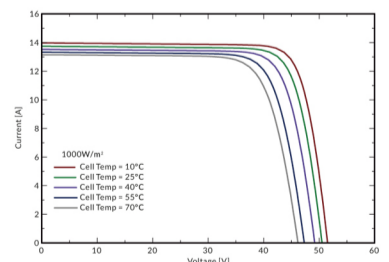
#### PACKING CONFIGURATION

Container	20'GP	40'HQ
Pieces per pallet	31	31
Pallets per container	5	20
Pieces per container	155	620

#### I-V CURVE



#### SR60P-455M



### OPERATING CHARACTERISTICS

Operating Module Temperature	-40°C to +85°C
Maximum System Voltage	1500 DC (IEC)
Maximum Series Fuse Rating	25A
Power Tolerance	0/+5W

### TEMPERATURE CHARACTERISTICS

Nominal Operating Temperature (NMOT)	45±2°C
Temperature Coefficient of Pmax	-0.36%/°C
Temperature Coefficient of Voc	-0.28%/°C
Temperature Coefficient of Isc	+0.05%/°C

**Note:** The specifications, data and technical characteristics provided in this data sheet are subject to changes due to continuous R&D, product innovation and improvement. SUNRANGE reserves the right to modify the information any time without prior notice.

Anhui Sunrange New Energy Technology Co., Ltd.

Add: 8th Floor, Block G, Phase III, 1201 Huafeng Road Shushan District, 230031 Hefei, China

Tel: +86 199 0966 3060

E-mail: info@sunrangepv.com

Website: www.sunrangepv.com